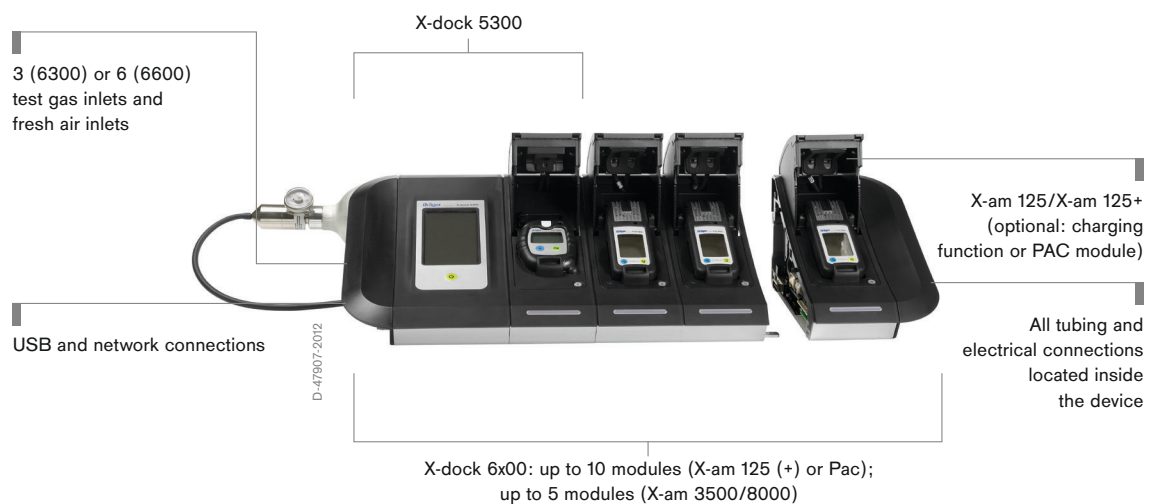


Dräger X-dock® 5300/6300/6600 Calibration and Bump Testing

Automatic bump tests, calibration, reduced test gas consumption, short testing times, and comprehensive documentation come standard in this new device from Dräger, the experts in gas detection.



Benefits

Work smarter, work safer

The X-dock® engineered advantage all starts with intuitive touchscreen operation at the master controller station where up to three test routines can be configured. Testing is as simple as inserting your Dräger gas detection instrument and closing the lid. The X-dock® immediately detects all sensor combinations and automatically tests and adjusts when all of the required test gases are connected. All generated data is documented in the database.

Comprehensive documentation

All of the relevant data from the test is collected for detailed evaluations providing you with the tools for unparalleled analytics. The report wizard can be used to create customized reports and calibration certificates can be printed right at the stations via PostScript-compatible USB printers. Also documented are items such as instrument operational status and name of tester.

Convenience and control

The X-dock® Manager software produces a detailed evaluation of the data in the calibration system and gas detection instruments and presents the information in various graphics and statistical models—providing you with a comprehensive overview of all results. Multiple X-dock® systems can be connected in a network giving all users access to data in a central database.

Configurations for every need

The Dräger X-dock® on all sitings comes in multiple configurations to allow for flexibility, depending on the type of detection instrumentation being used.

The X-dock® 5300 includes a master controller with a module for a single gas detection instrument in the X-am® or Pac family of products. The X-dock® 6300 and 6600 versions can be configured freely. They consist of a master controller and can be expanded with up to 10 modules for X-am® 1/2/5000 and/or Pac single gas detection instruments. For the X-am 8000 it can be expanded to with up to 5 modules.

Reduced test gas use means reduced costs

With a reduced gas flow (300 mL/min instead of 500 mL/min = 40% decrease) per module, you save money on test gases. Short testing times also reduce the overall maintenance requirements. Dräger's patent pending innovative valve concept only needs one pump, which means less wear on parts for you. The valves automatically switch the test gases and the fresh air source as well.

Benefits

Time is money. You save both with the X-dock®

Up to 10 modules can be connected to the X-dock®, allowing you to test gas detection instruments simultaneously or independently of each other. The automatic bump test also saves time, because the test only takes 8 to 15 seconds. All Dräger test gas cylinders are already stored in the database—just enter the part number to automatically fill the fields required for the gas configuration, eliminating the need for manual data entry.

Further Benefits

- Touchscreen operation at the master controller station
- Up to three configurable test routines
- Automatic permeability tests
- Automatic tests of all alarm elements (acoustic, visual and vibration alarms)
- Optional charging function for X-am®
- Easy to replace seal cartridge
- 12V operation (e.g., in vehicles) available
- Can be subsequently expanded with up to max. 10 modules (X-dock® 6300/6600)
- Sensor performance testing

System Components



ST-5080-2005

Calibration gases

Single gases and gas mixtures of reliable, constant quality

System Components



D-57185-2012

Pressure reducer

7.25 PSI for connection to the test gas cylinder



D-47836-2012

X-dock® 5300 X-am® 125

- X-dock® Master including X-am® 125 module and power supply
- Three test gas connections
- Limited to one module



D-10380-2009

Viton hose

To connect the gas cylinder to the X-dock station



D-47820-2012

X-dock® 5300 Pac

- X-dock® Master including Pac module and power supply
- Three test gas connections
- Limited to one module

System Components



D-47910-2012

X-dock® 6300 Master

- Three test gas connection
- Can be expanded to 10 modules for X-am 125
- Can be expanded to 5 modules for X-am 3500/8000



D-47912-2012

X-dock® 6600 Master

- Six test gas connection
- Can be expanded to 10 modules (5 for X-am 3500/8000 Series)



D-52814-2012

X-dock® Module X-am® 125

Supports Dräger X-am® 1/2/5x00 devices



D-52815-2012

X-dock® Module X-am® 125+

Allows charging of Dräger X-am® 1/2/5x00 devices

System Components



D-27824-2017

Module X-am® 3500/8000

Supports Dräger X-am® 3500/8000 devices



D-27822-2017

Module X-am® 3500/8000+

Allows charging of Dräger X-am® 3500/8000 devices



D-52815-2012

X-dock® Module Pac

Supports Dräger PAC devices



D-47995-2012

24 V/1.3 A plug-in power supply

Up to 3 modules

System Components



D-47926-2012

12 V car adapter supply

12 V operation available, e.g. in vehicles



D-47917-2012

24 V/5 A plug-in power supply

Up to 10 modules



D-52822-2012

X-dock Manager Standard (Initial license)

The X-dock Manager Basic administers instruments, users, and stations, shows documented test results, and gives an overview of the gas detection fleet.

This is a basic license that will be activated. One PC at a time can use this license (network license / floating).



D-52822-2012

X-dock Manager Professional (Initial license)

Functions of the basic version plus comprehensive report tool to create graphical overviews of tests and also statistic values (e.g. average concentrations)

The professional version contains an instrument handout and return function.

This provides one professional license-one PC at a time can use this license (network license/floating).

System Components



X-dock Manager Extension License (1x)

- Increases the available license quantity by one. This enables an additional user to use the X-dock Manager simultaneously
- Precondition is one X-dock Manager Basic or Professional initial license



X-dock Manager Extension License (5x)

- Increases the available license quantity by five. This enables five additional users to use the X-dock Manager simultaneously
- Precondition is one X-dock Manager Basic or Professional initial license

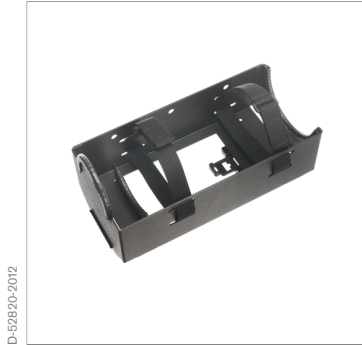
Accessories



Comfort wall bracket with adjustable tilt wall mount

Easy fastening by mounting on a standard DIN rail or directly wall-mounted

Accessories



Cylinder holder for rail/wall mount

Easy fastening for installing the test gas cylinder mounted on a standard DIN rail or directly wall-mounted



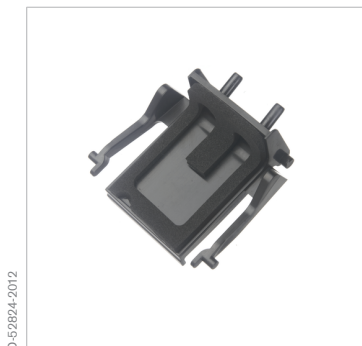
Wall mount

Simple mounting option when fitted to a standard DIN rail or directly wall-mounted



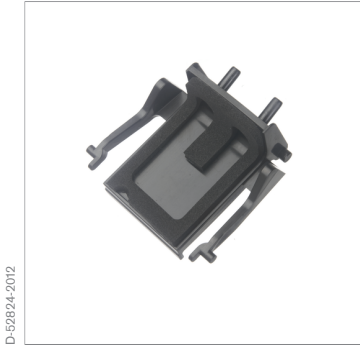
Test gas cylinder holder with test gas cylinder

For securing the test gas cylinder to the X-dock Station



Sealing cartridge X-am 125 module

Accessories



D-52824-2012

Sealing cartridge Pac module



D-34535-2009

Pump inlet filter for fresh air pump



ST-478-2002

USB keyboard

Compact keyboard with PS2 interface, dimensions approx. 11.10 x 5.20 x 0.94 inches.



D-64673-2012

Barcode

- There are various sizes available—also customized versions available (>1000 pieces)
- “Dräger”—print can be replaced by customer designation (pure text)

Related Products



ST-740-2006

Dräger Bump Test Station

The Bump Test Station is easy to use, stand-alone and flexible. In this regard, function tests of gas detection and warning devices can be carried out easily and independently of the location.



ST-574-2005

Dräger E-Cal®

Check, control, and calibrate portable gas measuring devices at any time: Dräger E-Cal®, the automatic test and calibration station is made for it.

Technical Data

Dräger X-dock® 5300/6300/6600

	X-dock® Master Controller	X-dock® Module Pac	X-dock® Module X-am 125	X-dock® Module X-am 125+	X-dock® Module X-am® 8000	X-dock®Module X-am®8000+
Weight	Approx. 3.3 lbs	Approx. 1.98 lbs	Approx. 2 lbs	Approx. 2.11 lbs	Approx. 2.70 lbs	Approx. 3.19 lbs
X-dock® Master Controller dimensions	Approx. 4.7 x 5.11 x 9.84 in					
Pac®/X-am® 125 module dimensions	Approx. 3.54 x 5.71 x 9.84 in (90 x 145 x 250 mm)					
X-am® 3500/8000 module dimensions	Approx. 4.80 x 5.71 x 9.84 in (122 x 145 x 250 mm)					
Protection class IP20	Yes					
Power pack/ power supply	ViVia 24 V (8321849 & 8321850) power pack or car adapter					
Approvals	CE marking					
Ambient conditions	0 °C to 40 °C					
Gas connections						
Dräger X-dock® 5300/6300	3 test gas inlets for connecting 3 different test gases + one fresh air inlet + one waste gas outlet					
Dräger X-dock® 6600	6 test gas inlets for connecting 6 different test gases + one fresh air inlet + one waste gas outlet					
Connections						
USB 2.0	3 USB 2.0 devices/1 USB host					
Network connection	Yes: Ethernet					
Internal Memory Size	2GB					

Notes

Notes

Not all products, features, or services are for sale in all countries.
Mentioned Trademarks are only registered in certain countries and not necessarily in the country in which this material is released. Go to www.draeger.com/trademarks to find the current status.

CORPORATE HEADQUARTERS
Drägerwerk AG & Co. KGaA
Moislinger Allee 53–55
23558 Lübeck, Germany
www.draeger.com

Customer Service:
USA
+1 800-4DRAGER
(+1 800-437-2437)

CANADA
+1 877-DRAGER1
(+1 877-372-4371)

Technical Service:
USA
+1 800-4DRAGER
(+1 800-437-2437)

Locate your Regional
Sales Representative at:
www.draeger.com/contact

